

MINUTES OF MEETING TO APPROVE  
PLANS AND SPECIFICATIONS, FORMS OF  
CONTRACT AND ESTIMATE OF COST  
AND TO CONSIDER BIDS

Nevada, Iowa

April 27, 2026

The City Council of the City of Nevada, Iowa, met on April 27, 2026 at 6:00 p.m., at the Council Chambers, City Hall, Nevada, Iowa, pursuant to published notice.

The Mayor presided and the roll was called showing the following members of the Council present and absent:

Present: \_\_\_\_

Absent: \_\_\_\_

The Mayor announced that this was the time and place set for hearing on the plans and specifications, forms of contract and estimate of cost for the proposed Trunkline Manhole Rehabilitation

Upon investigation, it was found that no persons had appeared and filed objections to the proposed plans, specifications, forms of contract and estimate of cost for the Trunkline Manhole Rehabilitation as follows:

The City Council heard said objectors and evidence for or against the proposed Trunkline Manhole Rehabilitation; whereupon, the Mayor declared the hearing closed.

Council Member \_\_\_ introduced the following resolution and moved its adoption, seconded by Council Member \_\_\_; and after due consideration thereof by the City Council, the Mayor put the question upon the motion and the roll being called, the following named Council Members voted:

Ayes: \_\_\_

Nays: \_\_\_

Whereupon, the Mayor declared the said motion duly carried and the resolution adopted as follows:

RESOLUTION NO. 075 (2025/2026)

Resolution finally approving and confirming plans, specifications, forms of contract and estimate of cost for the Trunkline Manhole Rehabilitation

WHEREAS, the City Council of the City of Nevada, Iowa, has heretofore given preliminary approval to the plans, specifications, form of contract and estimate of cost (the "Contract Documents") for the Trunkline Manhole Rehabilitation (the "Project"), as described in the notice of hearing on the Contract Documents for the Project; and

WHEREAS, a hearing has been held on the Contract Documents on April 27, 2026;

NOW, THEREFORE, Be It Resolved by the City Council of the City of Nevada, Iowa, as follows:

Section 1. The Contract Documents referred to in the preamble hereof are hereby finally approved, and the prior action of the City Council giving preliminary approval is hereby finally confirmed, and the Project, as provided for in the Contract Documents, is necessary and desirable.

Section 2. All resolutions or parts of resolutions in conflict herewith are hereby repealed to the extent of such conflict.

Passed and approved April 27, 2026.

---

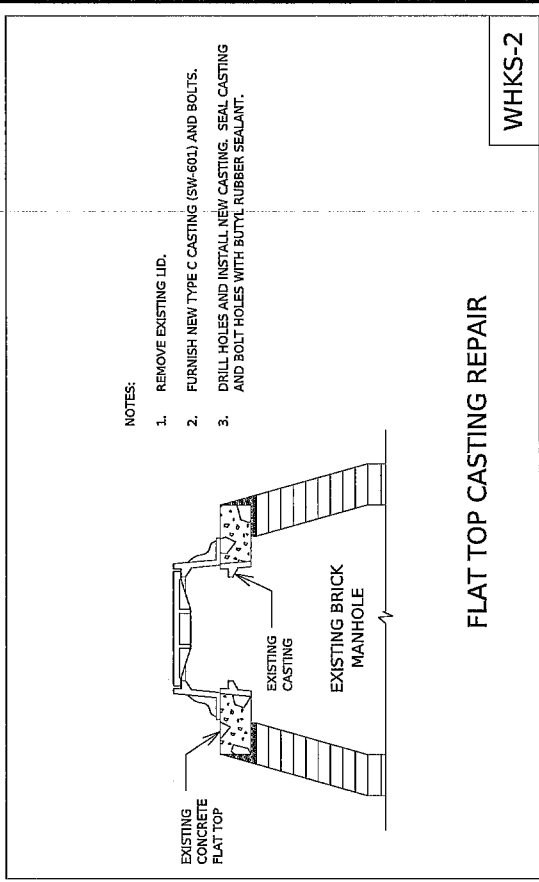
Ryan Condon, Mayor

Attest:

---

Erin Mousel, City Clerk



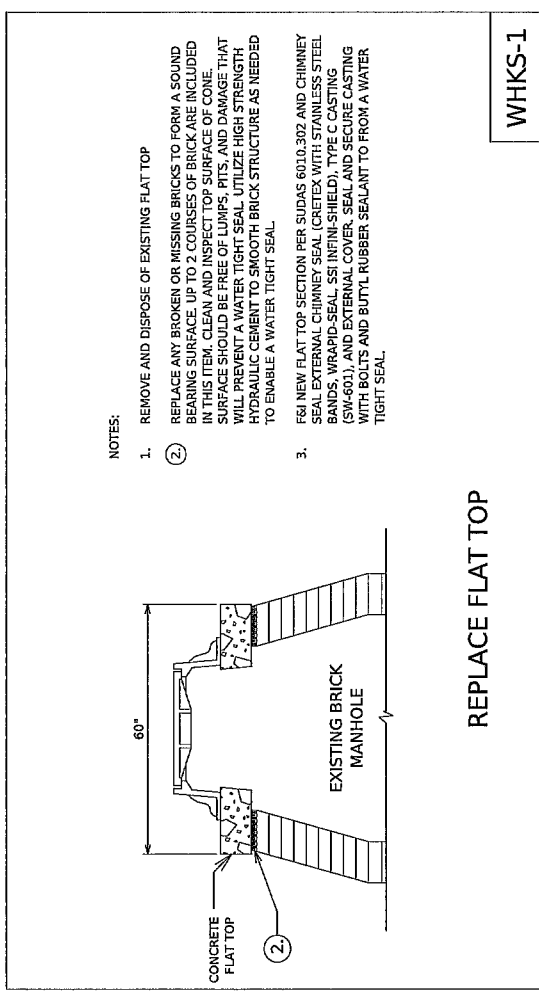


NOTES:

1. REMOVE EXISTING LID.
2. FURNISH NEW TYPE C CASTING (SW-60J) AND BOLTS. DRILL HOLES AND INSTALL NEW CASTING. SEAL CASTING AND BOLT HOLES WITH BUTYL RUBBER SEALANT.

FLAT TOP CASTING REPAIR

WHKS-2



NOTES:

1. REMOVE AND DISPOSE OF EXISTING FLAT TOP
2. REPLACE ANY BROKEN OR MISSING BRICKS TO FORM A SOUND BEARING SURFACE. UP TO 2 COURSES OF BRICK ARE INCLUDED IN THIS ITEM. CLEAN AND INSPECT TOP SURFACE OF CONE. SURFACE SHOULD BE FREE OF LUMPS, PITS, AND DAMAGE THAT WILL PREVENT A WATER TIGHT SEAL. UTILIZE HIGH STRENGTH HYDRAULIC CEMENT TO SMOOTH BRICK STRUCTURE AS NEEDED TO ENABLE A WATER TIGHT SEAL.
3. F&I NEW FLAT TOP SECTION PER SUDAS 6010.302 AND CHIMNEY SEAL EXTERNAL CHIMNEY SEAL (CRETEX WITH STAINLESS STEEL BANDS, WRAP-SEAL, SSI INFINI-SHIELD), TYPE C CASTING (SW-60J), AND EXTERNAL COVER. SEAL AND SECURE CASTING WITH BOLTS AND BUTYL RUBBER SEALANT TO FROM A WATER TIGHT SEAL.

REPLACE FLAT TOP

WHKS-1



NOTES:

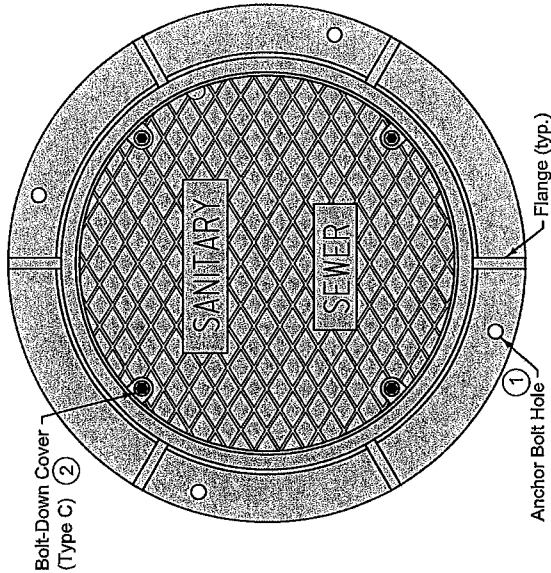
1. REMOVE EXISTING LID & CASTING. F&I TYPE C CASTING (SW-60J). SEAL CASTING WITH BUTYL RUBBER SEALANT. CASTING SHALL COMPLY WITH SUDAS SECTION 6010. FOR ALL MANHOLES LOCATED IN FLOOD PLAIN OR DRAINAGE SWALE, PROVIDE BOLT DOWN COVERS.
2. REMOVE EXISTING ADJUSTING RINGS DOWN TO PRECAST CONNECTION. CLEAN AND INSPECT TOP SURFACE OF CONE. SURFACE SHOULD BE FREE OF LUMPS AND DAMAGE THAT WILL PREVENT A WATER TIGHT SEAL. GRIND PRECAST CONE SECTION AS REQUIRED TO SMOOTH TO ENABLE A WATER TIGHT SEAL. F&I NEW ADJUSTING RINGS. NEW RINGS SHALL BE FULLY MORTARED. CONTRACTOR TO DETERMINE AMOUNT OF ADJUSTMENT RINGS REQUIRED IN THE FIELD.
3. EXISTING PRECAST CONCRETE TO REMAIN.
4. FINISHED RIM ELEVATION 1/4" BELOW GRADE.
5. F&I NEW EXTERNAL CHIMNEY SEAL (CRETEX WITH STAINLESS STEEL BANDS, WRAP-SEAL SSI INFINI-SHIELD) OR EQUAL, PER MANUFACTURER'S RECOMMENDATIONS INCLUDING BUT NOT LIMITED TO INSTALLATION OF PRIMER, PREPARATION OF MATERIALS, INSTALLATION, PATCHES, HEAT TREATMENT, AND TESTING.
6. THIS DETAIL ALSO APPLIES TO EXISTING FLAT TOP MANHOLES AT FLAT TOP MANHOLES REMOVE AND REPLACE CASTING AND CHIMNEY, EXISTING FLAT TOP TO REMAIN.
7. F&I 3"x3'1" DEEP CONCRETE AROUND CASTING AT CLEANOUT LOCATIONS.
8. BOLT CASTINGS TO CONE OR FLAT TOP IF EXPOSED ABOVE GRADE.

PRECAST MANHOLE CASTING/CHIMNEY RECONSTRUCTION

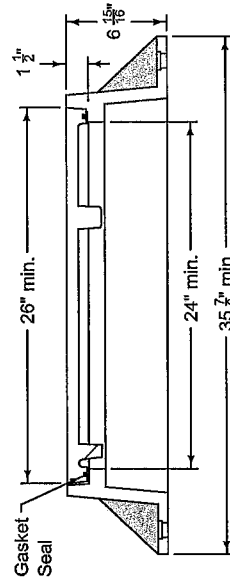
WHKS-3

**TYPE A**  
Two-piece fixed casting  
**TYPE C**

Two-piece fixed casting with bolt-down cover (2)



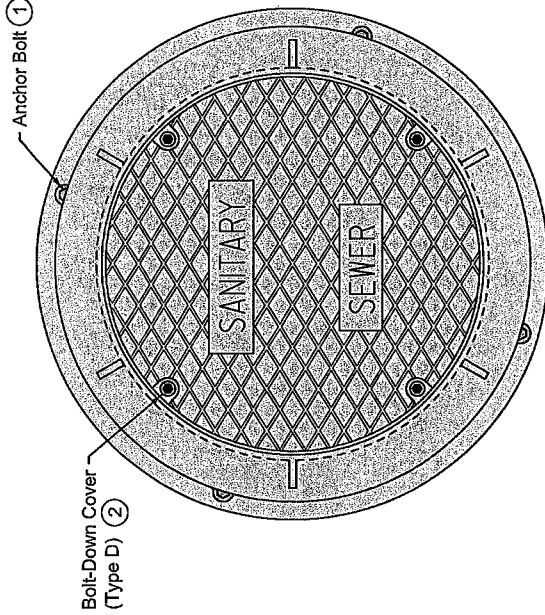
PLAN



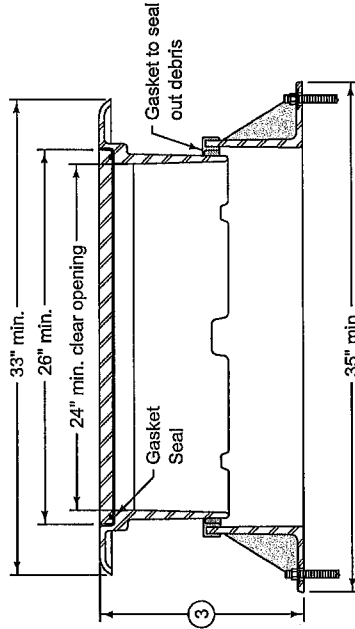
TYPICAL SECTION

**TYPE B: HMA**  
Three-piece floating casting for use in HMA paving  
**TYPE D: HMA**

Three-piece floating casting with bolt-down cover for use in HMA paving (2)



PLAN



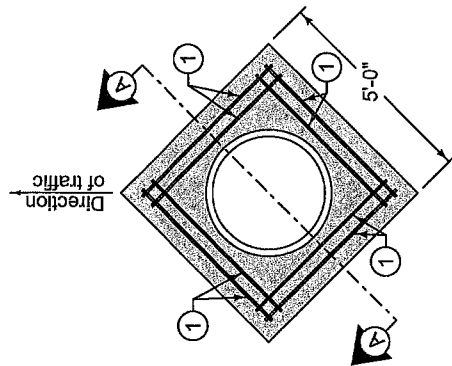
TYPICAL SECTION

**Frame Notes:**  
Size, spacing, and number of lugs and flanges may vary.

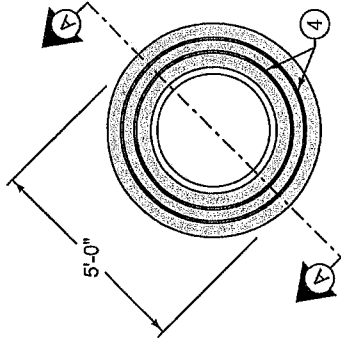
**Cover Notes:**  
Roughness pattern and text style may vary. Minimum one concealed pickhole.

- ① Anchor the lower frame of all three-piece castings to the manhole structure. When specified in the contract documents, anchor the frame of two-piece castings to the manhole structure. If casting frame does not include anchor holes or slots, drill four 7/8 inch diameter holes, equally spaced around the frame.
- ② If specified, furnish bolt down frame and cover with four 1/2 inch minimum diameter stainless steel, hex nut, recessed cap screws. Secure cover with screws, washers, and rubber gasket seals.
- ③ Casting height varies. Minimum adjustment range of 4 inches.

REVISION	4	04-21-20
<b>SW-601</b>		
STANDARD ROAD PLAN		
SHEET 1 of 2		
REVISIONS: Add revision for 2-piece HMA casting.		
SOLIDUS DIRECTOR		
DESIGN LICENSE ENGINEER		
<b>CASTINGS FOR SANITARY SEWER MANHOLES</b>		



**RECTANGULAR**



**CIRCULAR**

Construct boxout with Class C concrete or match pavement class. Minimum 2 inches clear on reinforcement. Minimum 12 inches of concrete between outside of casting and nearest joint. Center casting within boxout area if possible.

- ① 4 foot 8 inch (typ.) #4 bar. Place at mid-slab.
- ② If boxout is constructed prior to placement of HMA overlay or final lift of HMA pavement, boxout may be constructed low, with a 'B' joint in place of the 'E' joint, and then final lift or overlay placed.
- ③ Apply tack coat.
- ④ #4 hoops (variable length). Place at mid-slab.

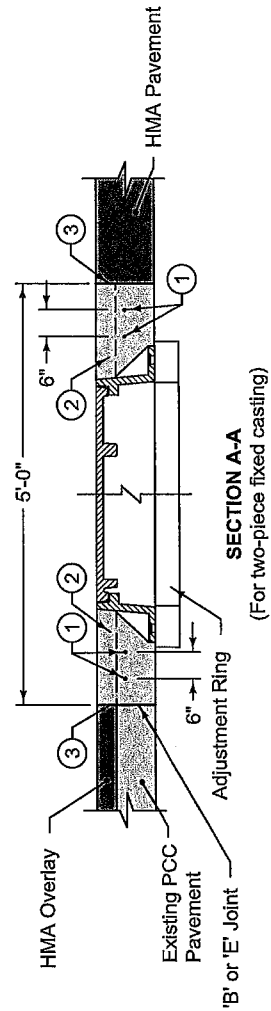
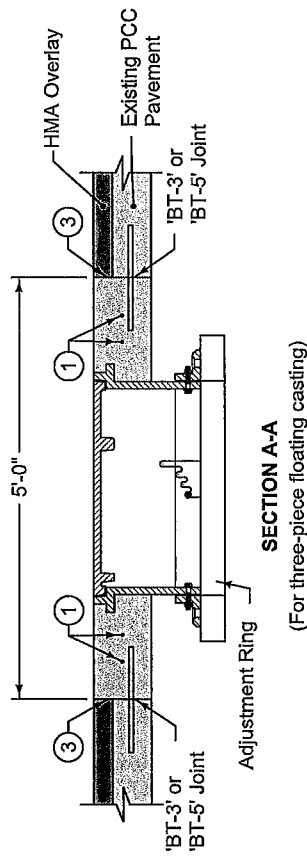


FIGURE 7020.201 SHEET 1 OF 1

REVISION	2	04-19-22
<b>PV-201</b>		
SHEET 1 OF 1		
FIGURE 7020.201	STANDARD ROAD PLAN	
REVISIONS: Added note 12 inch minimum around casting.		
DESIGN DIRECTOR		
DESIGN ENGINEER		
<b>MANHOLE BOXOUTS IN HMA PAVEMENT AND HMA OVERLAYS</b>		
SHEET NUMBER B.3		PROJECT NUMBER 10539

**ESTIMATE REFERENCE INFORMATION FOR NEVADA TRUNKLINE MANHOLE REHABILITATION**

**ESTIMATE REFERENCE INFORMATION**

**Bid Item No.** TRUNKLINE MANHOLE REHABILITATION

**Division 1 – GENERAL (NOT USED)**

**Division 2 – EARTHWORK (NOT USED)**

**Division 3 – TRENCH AND TRENCHLESS CONSTRUCTION (NOT USED)**

**Division 4 – SEWERS AND DRAINS (NOT USED)**

**Division 5 – WATER MAINS AND APPURTENANCES (NOT USED)**

**Division 6 – STRUCTURES FOR SANITARY AND STORM SEWERS**

**6.1 CASTING/CHIMNEY REPLACEMENT, PCC MANHOLES (EA).** This bid item shall include all equipment, labor, materials, excavation, backfilling, hauling and proper disposal of removed casting/chimney as shown on plans. The removed casting shall become property of the City. Contractor responsible for locating appropriate disposal location for materials, location to be approved by City. This bid item includes replacing the casting and chimney, adjusting rings, external chimney seal, granular subbase, backfill, cleaning and preparing precast cone surface, finishing and associated work including cleanup. Depth of removal and replacement varies per manhole, construct per plans and specifications. Payment shall be per each manhole.

**6.2 FLAT TOP CASTING REPAIR (EA)** This bid item shall include all equipment, labor, materials, and disposal of materials required to install the casting repair on the flat top per the plans, refer to detail WHKS-2. Payment shall be per each manhole.

**6.3 REPLACE FLAT TOP (EA)** This bid item shall include all equipment, labor, materials, and disposal of existing flat top required to install the new 60" flat top per the plans, refer to detail WHKS-1. Payment shall be per each manhole.

**Division 7 – STREETS AND RELATED WORK**

**7.1 REMOVE & REPLACE MANHOLE BOXOUT (EA).** This bid item shall be to provide a reinforced manhole boxout at all manhole locations in pavement per SUDAS detail PV-201 on sheet B.3. This Manhole Boxout (each) pay item shall be to provide all labor and materials to remove and replace the payment including mobilization, cutting, reinforcement, jointing, and miscellaneous labor to provide the boxout. Adjustment of casting to final grade is incidental to this item. Payment shall be per box-out.

**Division 8 – TRAFFIC SIGNALS**

**8.1 TRAFFIC CONTROL (LS).** Traffic control for streets and pedestrian routes shall meet the General Traffic Control Notes in the contract documents and comply with the current edition of the Manual on Uniform Traffic Control Devices (MUTCD). Refer to additional traffic control and staging notes within the project plans for additional requirements and information. The Contractor shall submit a traffic control plan to the Engineer for approval prior to beginning constructions.

The Contractor shall furnish and maintain all traffic control devices required for the duration at each project location. All traffic control devices shall be properly located, maintained, and kept clean legible by the Contractor to always provide safe pedestrian and traffic flow. The Contractor shall have specific persons designated to monitor traffic control devices and correct problems. The Contractor shall furnish the City with names and phone numbers of these persons plus a phone number for problems.

To minimize traffic disturbances, Contractor shall provide work schedule to City on a weekly basis for approval. Schedule to include pipe ID and location, estimated duration of work, and type of traffic control required.

Measurement and Payment for Traffic Control is lump sum. This item shall include all labor, materials, and equipment necessary to furnish, install, maintain, and remove traffic control devices, provide schedule updates and notifications, perform nighttime work if required, protect excavation areas, and provide related coordination and signage as specified herein. Partial payments will be made based upon the amount of work completed as a percentage of the original contract lump sum.

**Division 9 – SITEWORK AND LANDSCAPING**

**9.1 SITE RESTORATION (SY).** This bid item shall include all equipment, labor, and materials required to restore any disturbed areas to their original grade and condition including construction areas and access areas, etc. pavement restoration shall be paid under item 7.1 "Remove & Replace Manhole Boxout." Any pavement broken or damaged beyond the removal limits shall be replaced by the Contractor at no additional cost to the City in accordance with item 7.01. Seeding, fertilizing, seeding warranty and watering shall be considered incidental and completed in accordance with SUDAS section 9010. Payment shall be by square yard.

A. SUDAS Type 2 or 3 permanent mixture for slopes and ditches (Section 9010) shall be on un-mowed areas unless upon approval of the Engineer.

B. SUDAS Type 1 permanent lawn mixture (Section 9010) shall be used in mowed areas.

**Division 10 – DEMOLITION (NOT USED)**

**Division 11 – MISCELLANEOUS**

**11.1 MOBILIZATION (LS).** This bid item shall be defined by SUDAS Section 11020. It shall include, but not be limited to mobilization of personnel, equipment and supplies for all items under the contract. Partial payments will be made as per SUDAS Section 1090.

**NOTE:** All bid items shall include all labor, material, and equipment necessary to complete the operation in accordance with the Plans, Specifications, and the Urban Standard Specifications for Public Improvements Manual unless otherwise noted.

End of Section

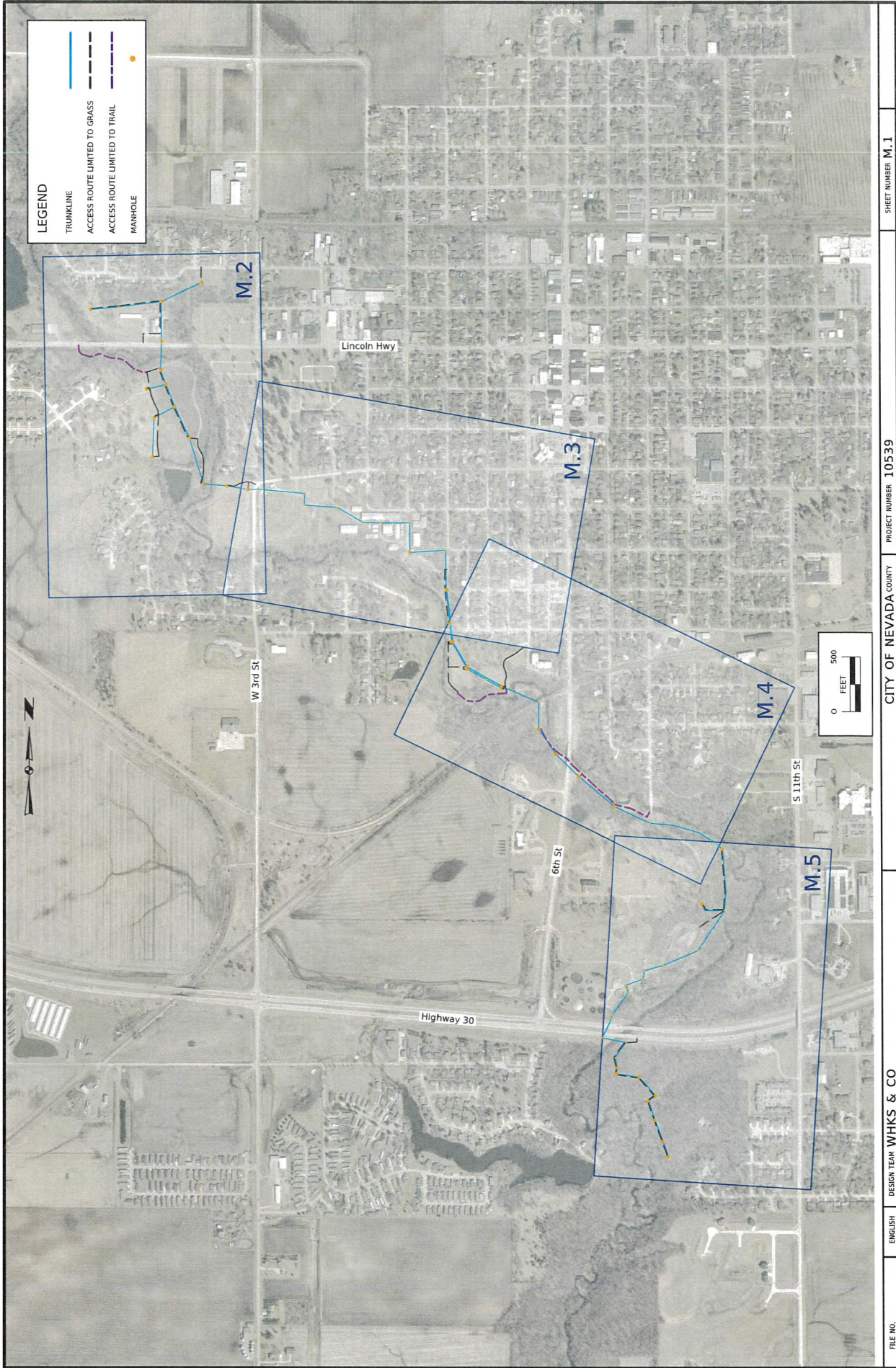


## ESTIMATED QUANTITIES

Item No.	Item	Unit	Total	As Built Qty.
1	Division 1 - General			
2	Division 2 - Earthwork			
3	Division 3 --- Trench and Trenchless Construction			
4	Division 4 --- Sewers and Drains			
5	Division 5 --- Water Mains and Appurtenances			
6	Division 6 -- Structures for Sanitary and Storm Sewers			
6.1	Casing/Chimney Replacement PCC Manholes	EA	30	
6.2	Flat Top Casting Repair	EA	6	
6.3	Replace Flat Top	EA	2	
7	Division 7 -- Streets and Related Work			
7.1	Remove & Replace Manhole Boxout	EA	1	
8	Division 8 -- Traffic Control			
8.1	Traffic Control	LS	1	
9	Division 9 -- Siftework and Landscaping			
9.1	Site Restoration	SY	407	
10	Division 10 -- Demolition			
11	Division 11 - Miscellaneous			
11.1	Mobilization	LS	1	

MH ID.	SHEET #	MH WALL TYPE	MH CONE TYPE	CASTING /CHIMNEY REPLACEMENT	FLAT TOP CASTING REPAIR	REPLACE FLAT TOP MANHOLE BOXOUT	RESTORE OUTSIDE AREA (S.Y.)	REPAIR NOTES
NW-A160	M.2	Precast Concrete	Precast Concrete	X			11	
NW-A165	M.2	Precast Concrete	Precast Concrete	X			11	
NW-A170	M.2	Precast Concrete	Precast Concrete	X			11	
NW-A88-10	M.2	Precast Concrete	Precast Concrete	X			11	
SW-A125	M.2	Precast Concrete	Precast Concrete	X			11	
SW-A130	M.2	Precast Concrete	Precast Concrete	X			11	
SW-A135	M.2	Precast Concrete	Precast Concrete	X			11	
SW-A140	M.2	Precast Concrete	Precast Concrete	X			11	
SW-A145	M.2	Precast Concrete	Precast Concrete	X			11	
SW-A150	M.2	Precast Concrete	Precast Concrete	X			11	
SW-A155	M.2	Precast Concrete	Precast Concrete	X			11	
SW-A80-10	M.2	Precast Concrete	Precast Concrete	X			11	
SW-A80-5	M.2	Precast Concrete	Precast Concrete	X			11	
SW-A85-5	M.2	Precast Concrete	Precast Concrete	X			11	
SW-A28-25A	M.3	Precast Concrete	Precast Concrete	X			11	
SW-A70	M.3	Precast Concrete	Precast Concrete	X			11	
SW-A85	M.3	Precast Concrete	Precast Concrete	X		X	Boxout	
SW-A28-25B.	M.3/4	Precast Concrete	Precast Concrete	X			11	
SE-A30	M.4	Precast Concrete	Precast Concrete	X			11	
SE-A35	M.4	Precast Concrete	Precast Concrete	X			11	
SW-A28-15	M.4	Precast Concrete	Precast Concrete	X			11	

MH ID.	# SHEET	MH WALL TYPE	MH CONE TYPE	CASTING /CHIMNEY REPLACEMENT	FLAT TOP CASTING REPAIR	REPLACE FLAT TOP MANHOLE BOXOUT	RESTORE OUTSIDE AREA (S.Y.)	REPAIR NOTES
SW-A28-20	M.4	Precast Concrete	Precast Concrete	X			11	
SW-A28-5	M.4	Precast Concrete	Precast Concrete	X			11	
SW-A40	M.4	Precast Concrete	Precast Concrete	X			11	
SW-A45	M.4	Precast Concrete	Precast Concrete	X			11	
SW-A55	M.4	Precast Concrete	Precast Concrete	X			11	
SW-A60	M.4	Precast Concrete	Precast Concrete	X			11	
SW-A65	M.4	Precast Concrete	Precast Concrete	X			11	
CITY-1	M.5	Precast Concrete	Precast Concrete	X			11	
SE-A20	M.5	Precast Concrete	Precast Concrete	X			11	
SE-B5-10	M.5	Brick	Brick		X		11	
SE-B5-15	M.5	Brick	Brick		X		11	
SE-B5-20	M.5	Brick	Brick			X	11	
SE-B5-25	M.5	Brick	Brick		X		11	
SE-B5-30	M.5	Brick	Brick		X		11	
SE-B5-35	M.5	Brick	Brick		X		11	
SE-B5-40	M.5	Brick	Brick			X	11	
SE-B5-45	M.5	Brick	Brick		X		11	
<b>TOTALS -</b>				<b>30</b>	<b>6</b>	<b>2</b>	<b>1</b>	<b>Restore Area = 407 SY Boxouts = 1</b>



**LEGEND**

- TRUNKLINE
- - - ACCESS ROUTE LIMITED TO GRASS
- - - ACCESS ROUTE LIMITED TO TRAIL
- MANHOLE

SHEET NUMBER M.1

PROJECT NUMBER 10539

CITY OF NEVADA COUNTY

DESIGN TEAM WHKS & CO

ENGLISH 3/16/2026

FILE NO. 92126 AM

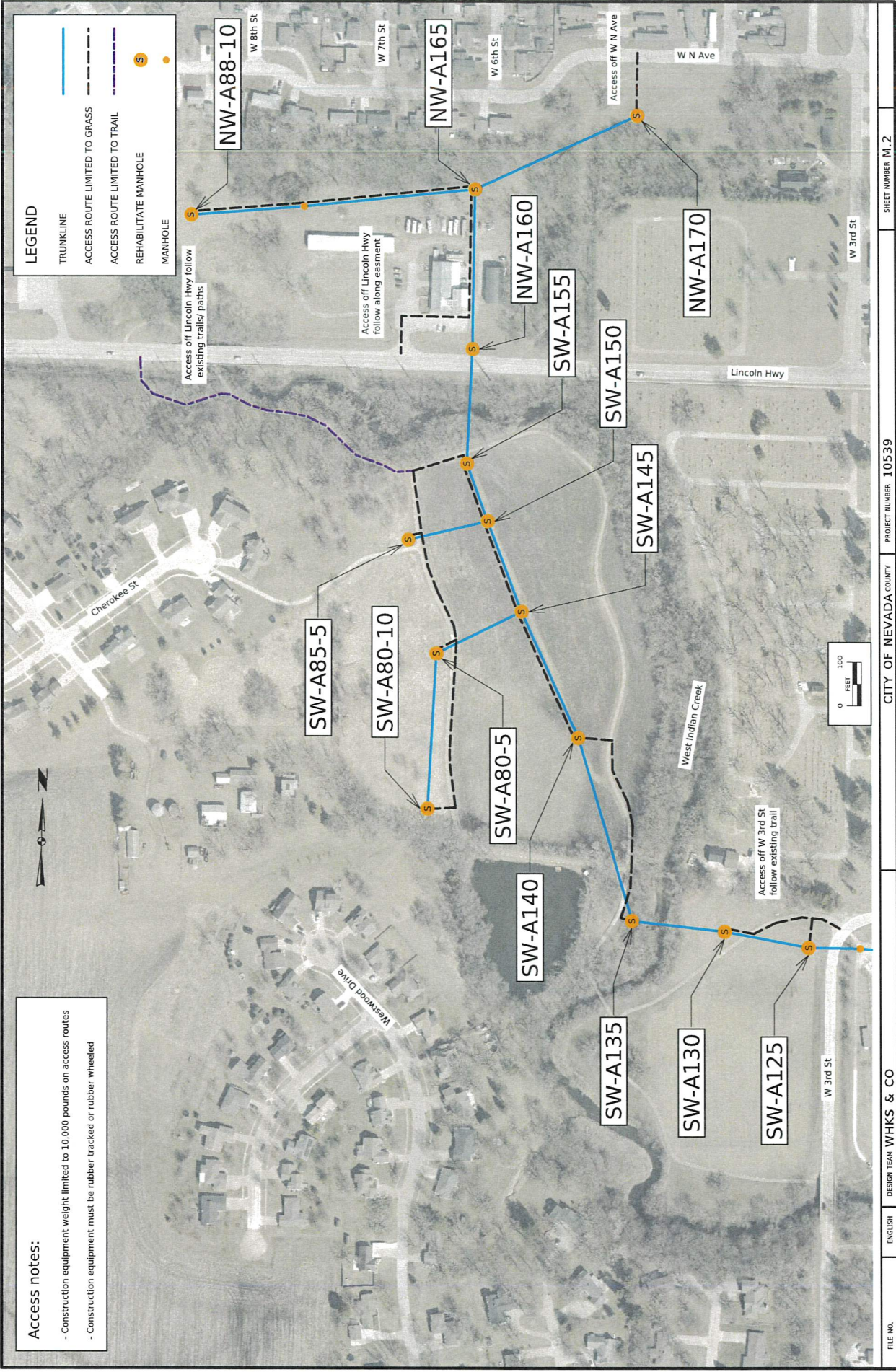
p:\whks-nv-bentley.com\whks-nv\01\Documents\Projects\10400-26\Trunk Line Sewer\10400-26\Trunk Line Sewer\10400-26\06.0441 CAD\Design\Sheets\SHT\_M\_1\_TRUNK

**Access notes:**

- Construction equipment weight limited to 10,000 pounds on access routes
- Construction equipment must be rubber tracked or rubber wheeled

**LEGEND**

- TRUNKLINE
- ACCESS ROUTE LIMITED TO GRASS
- ACCESS ROUTE LIMITED TO TRAIL
- REHABILITATE MANHOLE
- MANHOLE



**Access notes:**

- Construction equipment weight limited to 10,000 pounds on access routes
- Construction equipment must be rubber tracked or rubber wheeled

**LEGEND**

- TRUNKLINE
- ACCESS ROUTE LIMITED TO GRASS
- ACCESS ROUTE LIMITED TO TRAIL
- REHABILITATE MANHOLE
- MANHOLE



**Access notes:**

- Construction equipment weight limited to 10,000 pounds on access routes
- Construction equipment must be rubber tracked or rubber wheeled

**LEGEND**

- TRUNKLINE
- ACCESS ROUTE LIMITED TO GRASS
- ACCESS ROUTE LIMITED TO TRAIL
- REHABILITATE MANHOLE
- MANHOLE

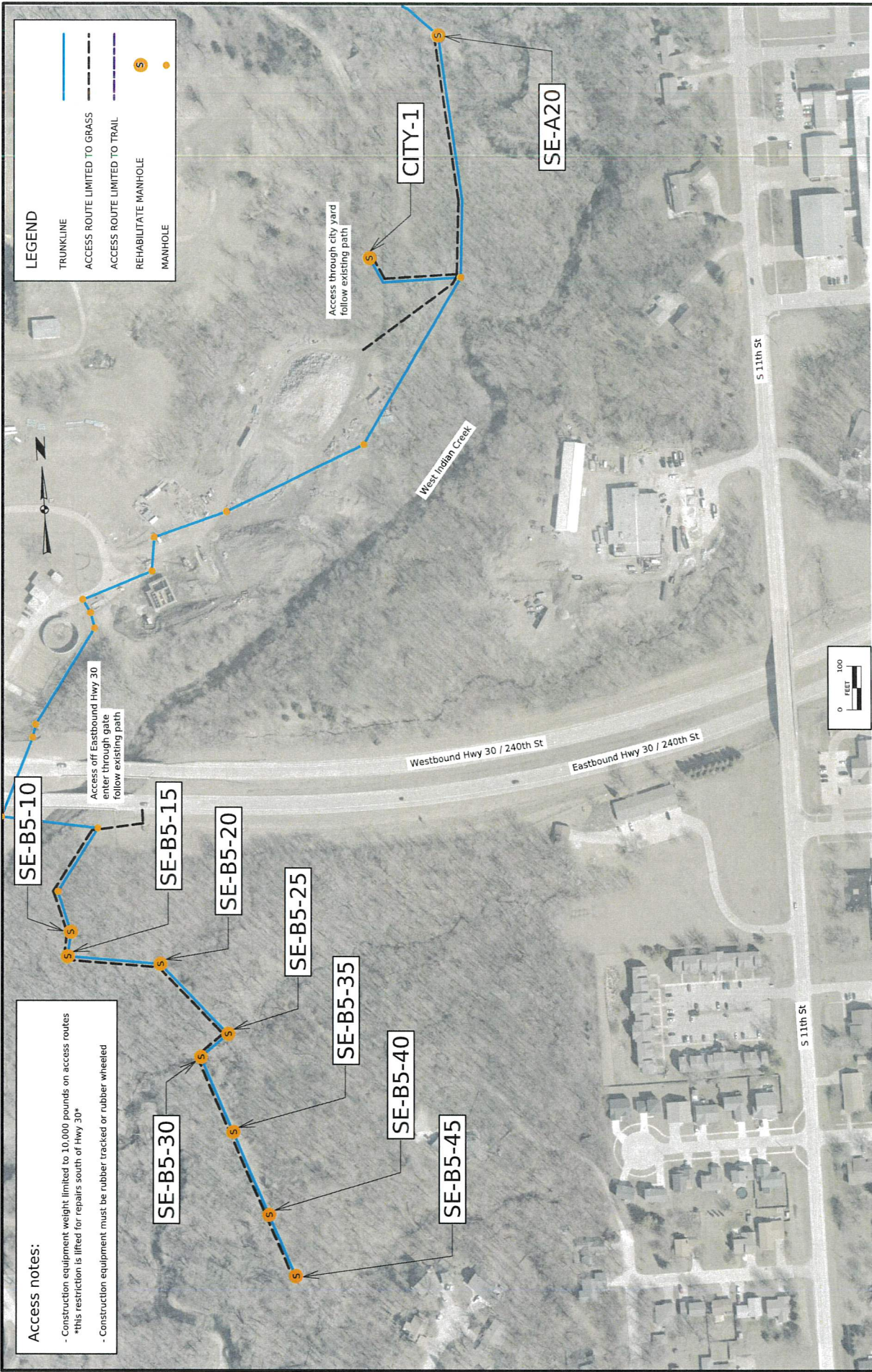


**LEGEND**

- TRUNKLINE
- - - ACCESS ROUTE LIMITED TO GRASS
- - - ACCESS ROUTE LIMITED TO TRAIL
- REHABILITATE MANHOLE
- MANHOLE

**Access notes:**

- Construction equipment weight limited to 10,000 pounds on access routes
- \*\*this restriction is lifted for repairs south of Hwy 30\*
- Construction equipment must be rubber tracked or rubber wheeled



**SPECIFICATIONS AND CONTRACT DOCUMENTS**

**FOR**

**NEVADA TRUNKLINE MANHOLE REHABILITATION**

City of Nevada

2026

WHKS No. 10539

***whks***

engineers + planners + land surveyors

**SECTION 00 01 10  
TABLE OF CONTENTS**

**PROCUREMENT AND CONTRACTING REQUIREMENTS**

**DIVISION 00 -- PROCUREMENT AND CONTRACTING REQUIREMENTS**

- A. 00 01 01 - Project Title Page
- B. 00 01 03 - City Officials
- C. 00 01 07 - Seals Page
- D. 00 01 10 - Table of Contents
- E. 00 11 13 - Notice to Bidders and Notice of Public Hearing
- F. 00 21 13 - Information for Bidders
- G. 00 42 00 - Proposal Form
- H. 00 42 01 - Bidder Status Form
- I. 00 50 00 - Contract
- J. 00 50 01 - Performance and Maintenance Bond
- K. 00 50 02 - Payment Bond
- L. 00 72 00 - General Conditions

**SPECIFICATIONS**

**DIVISION 01 -- GENERAL REQUIREMENTS**

- A. 01 11 00 - Special Provisions

**DIVISION 33 -- UTILITIES**

- A. 33 35 03 - Manhole Rehabilitation

**PROPOSAL FORM**

Proposal  
of \_\_\_\_\_

(Name of Bidder)

of \_\_\_\_\_  
(City) (State)

To construct Nevada Trunkline Manhole Rehabilitation

To: The City Council  
Nevada, Iowa

(I) (We) hereby certify that (I am) (we are) the only person or persons interested in this proposal as principals; that an examination has been made of the plans, specifications and contract forms, including the supplemental requirements contained herein, and of the site of the work; (I) (we) understand that all quantities of work are to be performed at the unit prices or lump sums stipulated herein; (I) (we) propose to furnish all necessary machinery, equipment, tools, labor, and other means of construction and to furnish all materials specified, in the manner and the time prescribed, and to do the work at the prices herein set out.

To do the work in accordance with the Plans, Special Provisions and Technical Specifications.

To do all "extra work" which may be required to complete the work contemplated at unit prices or lump sums to be agreed upon in writing prior to starting such work.

As evidence of good faith in submitting this Proposal, the undersigned encloses a bid security as required by the Notice, which, in case he/she refuses or fails to accept an award and to enter into a contract and file the required bonds within the prescribed time, shall be forfeited to the Owner, as liquidated damages.

The undersigned agrees to execute the Standard Form of Contract upon written notice of acceptance of the bid as accepted and give bond with good and sufficient surety or sureties and in the required amounts within ten (10) days after the prescribed forms are presented for signature or forfeit the bid security furnished herewith.

The undersigned understands that the breakdown of proposal items into various categories of work is for the convenience of the Owner. The undersigned agrees to begin work within ten (10) days after "Notice to Proceed" is issued and to complete the same within the contract period shown below:

Beginning Date  
10 days after Notice to Proceed

Completion Date  
30th day of October, 2026

Any Contractor who proposes any alteration of the plans in any respect from that shown shall submit such proposal to the Engineer for approval at least ten days prior to the letting date.

# NEVADA TRUNKLINE MANHOLE REHABILITATION

Item No.	Item	Unit	Quantity	Unit Price	Total
<b>1</b>	<b>Division 1 - General</b>				
				<b>Subtotal</b>	
<b>2</b>	<b>Division 2 - Earthwork</b>				
				<b>Subtotal</b>	
<b>3</b>	<b>Division 3 — Trench and Trenchless Construction</b>				
				<b>Subtotal</b>	
<b>4</b>	<b>Division 4 — Sewers and Drains</b>				
				<b>Subtotal</b>	
<b>5</b>	<b>Division 5 — Water Mains and Appurtenances</b>				
				<b>Subtotal</b>	
<b>6</b>	<b>Division 6 – Structures for Sanitary and Storm Sewers</b>				
6.1	Casting/Chimney Replacement PCC Manholes	EA	30		
6.2	Flat Top Casting Repair	EA	6		
6.3	Replace Flat Top	EA	2		
				<b>Subtotal</b>	
<b>7</b>	<b>Division 7 – Streets and Related Work</b>				
7.1	Remove & Replace Manhole Boxout	EA	1		
				<b>Subtotal</b>	
<b>8</b>	<b>Division 8 – Traffic Signals</b>				
8.1	Traffic Control	LS	1		
				<b>Subtotal</b>	
<b>9</b>	<b>Division 9 – Sitework and Landscaping</b>				
9.1	Site Restoration	SY	407		
				<b>Subtotal</b>	
<b>10</b>	<b>Division 10 – Demolition</b>				
				<b>Subtotal</b>	
<b>11</b>	<b>Division 11 - Miscellaneous</b>				
11.1	Mobilization	LS	1		
				<b>Subtotal</b>	
				<b>BID TOTAL</b>	

The undersigned has completed the attached Bidder Status Form from the Iowa Department of Labor regarding the Contractor's resident status within the State of Iowa. Failure to submit a fully completed Bidder Status Form with the bid may result in the bid being deemed nonresponsive and rejected.

The right is reserved, as the interest of the Owner, may require, to reject all bids, any unresponsive bid and to waive technicalities in bids received.

The receipt of the following addenda is hereby acknowledged:

Addendum No.	Dated
_____	_____
_____	_____
_____	_____

The Contractor understands that this Proposal is binding upon him/her for a period of thirty (30) days from and after the opening of all bids for this proposed construction.

Dated this \_\_\_\_\_ day of \_\_\_\_\_, \_\_\_\_\_.

\_\_\_\_\_  
Company Name

\_\_\_\_\_  
Company Owner/Officer Printed Name

\_\_\_\_\_  
Company Owner/Officer Signature

Address \_\_\_\_\_

\_\_\_\_\_

E-mail \_\_\_\_\_

The Mayor announced that bids for the construction of the Trunkline Manhole Rehabilitation had been received before 2:00 p.m., on April 21, 2026, in the office of the City Clerk, City Hall, Nevada, Iowa, and that on the same day, at the same time, at the same place, such bids had been opened and read, and that this was the time and place set for the consideration of such bids.

Thereupon, the results of the bidding were reported, and WHKS (the "Project Engineers") made their recommendations thereon to the City Council. The bids received for the construction of the Trunkline Manhole Rehabilitation are as follows:

<u>Name and Address of Bidder</u>	<u>Amount of Bid</u>
<b>Hydro-Klean, LLC 2120 E. 13<sup>th</sup> Street Ames, Iowa 50010</b>	<b>\$231,825.00</b>
<b>Caster Construction LLC 1515 Ave O Fort Dodge, Iowa 50501</b>	<b>\$186,235.00</b>
<b>On Track Construction 1435 West F Ave Nevada, Iowa 50201</b>	<b>\$168,125.00</b>
<b>KE Builders LLC 1133 155<sup>th</sup> Street Boone, Iowa 50036</b>	<b>\$139,070.00</b>
<b>Mainline Construction Inc. 773 NE 47<sup>th</sup> Pl Des Moines, Iowa 50313</b>	<b>\$176,825.00</b>
<b>Orchard, Inc. 400 NW Sunset Lane Grimes, Iowa 50111</b>	<b>\$132,740.00</b>

**See Attached Bid Tab for Details**

It was moved by Council Member \_ and seconded by Council Member \_ that this meeting be adjourned to \_, 2026, at 6 o'clock p.m., at the City Hall, Nevada, Iowa, at which time and place the City Council will meet to further consider such proposals.

The Mayor put the question on the motion and the roll being called, the following named Council Members voted:

Ayes: \_

Nays: \_

Whereupon, the Mayor declared the said motion duly carried and the meeting was adjourned to the said time and place.

\_\_\_\_\_  
Ryan Condon, Mayor

Attest:

\_\_\_\_\_  
Erin Mousel, City Clerk

**BID TABULATION**

PROJECT: Nevada Trunkline Manhole Rehabilitation  
 WHKS PROJECT #: 10539  
 LETTING DATE: 21-Apr-26  
 PREPARED BY: WHKS & Co.

Name:		Hydro-Klean, LLC		Castor Construction, LLC		On Track Construction		KE Builders LLC		
Location:		Des Moines, Iowa		Fort Dodge, Iowa		Nevada, Iowa		Boone, Iowa		
Item No.	Item Code	Item	Unit	Quantity	Unit Price	Total	Unit Price	Total	Unit Price	Total
<b>Division 6 – Structures for Sanitary and Storm Sewers</b>										
6.1	EA	Casing/Chimney Replacement PCC Manholes	EA	30.0	\$ 3,700.00	\$ 111,000.00	\$3,692.00	\$110,760.00	\$3,450.00	\$103,500.00
6.2	EA	Flat Top Casing Repair	EA	6.0	\$ 2,000.00	\$ 12,000.00	\$2,400.00	\$14,400.00	\$3,550.00	\$21,300.00
6.3	EA	Replace Flat Top	EA	2.0	\$ 10,000.00	\$ 20,000.00	\$4,770.00	\$9,540.00	\$4,600.00	\$9,200.00
		<b>Subtotal</b>			<b>\$ 143,000.00</b>	<b>\$ 150,600.00</b>		<b>\$134,700.00</b>		<b>\$134,000.00</b>
<b>Division 7 – Streets and Related Work</b>										
7.1	EA	Remove & Replace Manhole Boxout	EA	1.0	\$ 2,000.00	\$ 2,000.00	\$2,800.00	\$2,800.00	\$3,950.00	\$3,950.00
		<b>Subtotal</b>			<b>\$ 2,000.00</b>	<b>\$1,800.00</b>		<b>\$2,800.00</b>		<b>\$3,950.00</b>
<b>Division 8 – Traffic Control</b>										
8.1	LS	Traffic Control	LS	1.0	\$ 5,000.00	\$ 5,000.00	\$5,500.00	\$5,500.00	\$2,500.00	\$2,500.00
		<b>Subtotal</b>			<b>\$ 5,000.00</b>	<b>\$5,000.00</b>		<b>\$5,500.00</b>		<b>\$2,500.00</b>
<b>Division 9 – Sitework and Landscaping</b>										
9.1	SY	Site Restoration	SY	407	\$ 45.00	\$ 18,315.00	\$45.00	\$18,315.00	\$25.00	\$10,175.00
		<b>Subtotal</b>			<b>\$ 18,315.00</b>	<b>\$1,225.00</b>		<b>\$18,315.00</b>		<b>\$10,175.00</b>
<b>Division 11 - Miscellaneous</b>										
11.1	LS	Mobilization	LS	1.0	\$ 13,500.00	\$ 13,500.00	\$24,920.00	\$24,920.00	\$17,500.00	\$17,500.00
		<b>Subtotal</b>			<b>\$ 13,500.00</b>	<b>\$3,200.00</b>		<b>\$24,920.00</b>		<b>\$17,500.00</b>
		<b>TOTAL:</b>			<b>\$ 181,815.00</b>	<b>\$ 231,825.00</b>		<b>\$ 186,235.00</b>		<b>\$ 168,125.00</b>
										<b>\$ 139,070.00</b>

BID TABULATION

PROJECT: Nevada Trunkline Manhole Rehabilitation  
 WHKS PROJECT #: 10539  
 LETTING DATE: 21-Apr-26  
 PREPARED BY: WHKS & Co.

Item No.	Item Code	Item	Unit	Quantity	Unit Price	Total	Name: Location:	Unit Price	Total	Unit Price	Total	Unit Price	Total
<b>Division 6 – Structures for Sanitary and Storm Sewers</b>													
6.1	EA	Casing/Chimney Replacement PCC Manholes	EA	30.0	\$ 3,700.00	\$ 111,000.00	Mainline Construction Inc Des Moines, Iowa	\$ 3,700.00	\$105,000.00	\$ 2,900.00	\$87,000.00	\$ 2,900.00	\$0.00
6.2	EA	Flat Top Casting Repair	EA	6.0	\$ 2,000.00	\$ 12,000.00		\$ 2,000.00	\$12,000.00	\$ 1,450.00	\$8,700.00	\$ 1,450.00	\$0.00
6.3	EA	Replace Flat Top	EA	2.0	\$ 10,000.00	\$ 20,000.00		\$ 5,700.00	\$11,400.00	\$ 5,800.00	\$11,600.00	\$ 5,800.00	\$0.00
					<b>Subtotal</b>	<b>\$ 143,000.00</b>			<b>\$128,400.00</b>		<b>\$107,300.00</b>		<b>\$0.00</b>
<b>Division 7 – Streets and Related Work</b>													
7.1	EA	Remove & Replace Manhole Boxout	EA	1.0	\$ 2,000.00	\$ 2,000.00		\$6,700.00	\$6,700.00	\$2,800.00	\$2,800.00	\$2,800.00	\$0.00
					<b>Subtotal</b>	<b>\$ 2,000.00</b>			<b>\$6,700.00</b>		<b>\$2,800.00</b>		<b>\$0.00</b>
<b>Division 8 – Traffic Control</b>													
8.1	LS	Traffic Control	LS	1.0	\$ 5,000.00	\$ 5,000.00		\$ 4,700.00	\$4,700.00	\$ 1,500.00	\$1,500.00	\$ 1,500.00	\$0.00
					<b>Subtotal</b>	<b>\$ 5,000.00</b>			<b>\$4,700.00</b>		<b>\$1,500.00</b>		<b>\$0.00</b>
<b>Division 9 – Sitework and Landscaping</b>													
9.1	SY	Site Restoration	SY	407	\$ 45.00	\$ 18,315.00		\$75.00	\$30,525.00	\$20.00	\$8,140.00	\$20.00	\$0.00
					<b>Subtotal</b>	<b>\$ 18,315.00</b>			<b>\$30,525.00</b>		<b>\$8,140.00</b>		<b>\$0.00</b>
<b>Division 11 – Miscellaneous</b>													
11.1	LS	Mobilization	LS	1.0	\$ 13,500.00	\$ 13,500.00		\$6,500.00	\$6,500.00	\$13,000.00	\$13,000.00	\$13,000.00	\$0.00
					<b>Subtotal</b>	<b>\$ 13,500.00</b>			<b>\$6,500.00</b>		<b>\$13,000.00</b>		<b>\$0.00</b>
					<b>TOTAL:</b>	<b>\$ 181,815.00</b>			<b>\$ 176,825.00</b>		<b>\$ 132,740.00</b>		<b>\$ -</b>

1421 South Bell, Suite 103  
Ames, IA 50010-7710  
Phone: 515.663.9997  
Email: ames@whks.com  
Website: www.whks.com

**whks**

engineers + planners + land surveyors

April 22, 2026

Mr. Jordan Cook  
City Administrator  
City of Nevada, Iowa  
1209 6th Street  
Nevada, Iowa 50201

RE: Nevada, Iowa  
**Nevada Trunkline Manhole Rehabilitation**  
Recommendation of Contractor for Project Contract Award

Dear Mr. Cook:

On Tuesday, April 21, 2026, six bids were received for the Nevada Trunkline Manhole Rehabilitation project. The total low bid for the work was **\$132,740.00**, submitted by **Orchard, Inc. of Grimes, Iowa**. The estimated cost for the project work was \$181,815.00. Please refer to the attached Bid Tabulation.

WHKS & Co. recommends that City Council adopt a resolution to:

- a. Accept the report of bids for the Nevada Trunkline Manhole Rehabilitation project.
- b. Approve the final plans and specifications for this project.
- c. Award the Nevada Trunkline Manhole Rehabilitation project to Orchard, Inc. of Grimes, Iowa in the amount of \$132,740.00.

If you have any questions or require additional information, please contact our office.

Sincerely,

**WHKS & co.**



John Joiner, P.E.  
Project Manager

cc: Erin Mousel  
Lucas Battani  
Derek Thomas, P.E.

MINUTES OF MEETING TO AWARD  
CONTRACTS

Nevada, Iowa

April 27, 2026

The City Council of the City of Nevada, Iowa, met on April 27, 2026, at 6:00 o'clock p.m., at the City Council Chambers, in the City, pursuant to adjournment and the rules of this Council.

The Mayor presided and the roll was called showing the following members of the Council present and absent:

Present: \_\_

Absent: \_\_

The City Council further considered proposals received for the proposed Trunkline Manhole Rehabilitation and embodied its findings in the resolution next hereinafter referred to.

Council Member \_\_ introduced the resolution next hereinafter set out, and moved that the said resolution be adopted; seconded by Council Member \_\_; and after due consideration thereof by the City Council, the Mayor put the question upon the motion and the roll being called, the following named Council Members voted:

Ayes: \_\_

Nays: \_\_

Whereupon, the Mayor declared the said motion duly carried and the said resolution duly adopted.

RESOLUTION NO. 076 (2025/2026)

Resolution awarding contract for the Trunkline Manhole Rehabilitation

WHEREAS, pursuant to notice duly posted in the manner and form prescribed by resolution of the City Council of the City of Nevada, Iowa, and as required by law, bids and proposals were received by this Council for the Trunkline Manhole Rehabilitation (the "Project"); and

WHEREAS, all of the said bids and proposals have been carefully considered, and it is necessary and advisable that provision be made for the award of the contracts for the Project;

NOW, THEREFORE, Be It Resolved by the City Council of the City of Nevada, Iowa, as follows:

Section 1. The bids for the Project submitted by the following contractors are fully responsive to the plans and specifications for the Project, are heretofore approved by the City Council, and are the lowest responsible bids received, such bids being as follows:

<u>Name and Address of Contractor</u>	<u>Amount of Bid</u>
Orchard, Inc.	\$132,740.00
400 NW Sunset Lane	
Grimes, Iowa 50111	

Section 2. The contracts for the Project are hereby awarded to such contractors at the total estimated costs set out above, the final settlement to be made on the basis of the unit prices therein set out and the actual final quantities of each class of materials furnished, the said contracts to be subject to the terms of the aforementioned resolution, the notice of hearing and letting, the plans and specifications and the terms of the bidders' written proposals.

Section 3. The Mayor and City Clerk are hereby authorized and ordered to enter into a written contract with each of the said contractors for the Project, but only after each contractor submits the performance and/or payment bonds which are required by the contract documents, and after the Project Engineers submit a written determination that such surety bonds and the other contract documents are satisfactory. No additional City Council action shall be required to approve the executed contracts or surety bonds.

Section 4. The amount of each contractor's performance and/or payment bonds is hereby fixed and determined to be 100% of the amount of the contract.

Section 5. All resolutions or parts of resolutions in conflict herewith are hereby repealed to the extent of such conflict.

Passed and approved April 27, 2026.

---

Ryan Condon, Mayor

Attest:

---

Erin Mousel, City Clerk

••••

On motion and vote, the meeting adjourned.

---

Ryan Condon, Mayor

Attest:

---

Erin Mousel, City Clerk



# USA TODAY CO.



PO Box 631851 Cincinnati, OH 45263-1851

## AFFIDAVIT OF PUBLICATION

CITY CLERK'S OFFICE  
City Of Nevada  
1209 6Th ST

Nevada IA 50201-1536

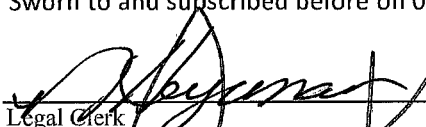
STATE OF WISCONSIN, COUNTY OF BROWN

The Nevada Journal, a weekly newspaper printed and published at Ames, Story County, Iowa, and personal knowledge of the facts herein state and that the notice hereto annexed was Published in said newspaper in the issues dated:

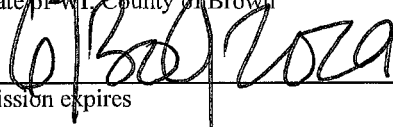
AMS amestrib.com 04/16/2026  
AMS Nevada Journal 04/16/2026

and that the fees charged are legal.

Sworn to and subscribed before on 04/16/2026

  
\_\_\_\_\_  
Legal Clerk

  
\_\_\_\_\_  
Notary, State of WI, County of Brown

  
\_\_\_\_\_  
My commission expires

Publication Cost:	\$28.16	
Tax Amount:	\$0.00	
Payment Cost:	\$28.16	
Order No:	12203089	# of Copies:
Customer No:	842186	0
PO #:	LIOW0488111	

**THIS IS NOT AN INVOICE!**

*Please do not use this form for payment remittance.*

AMY KOKOTT  
Notary Public  
State of Wisconsin

Notice of Public Hearing on Proposed Plans and Specifications, Form of Contract and Estimate of Cost for the Nevada Trunkline Manhole Rehabilitation Nevada, Iowa

Notice is Hereby Given: That at 6:00 PM, at the Council Chambers, City Hall, 1209 6th Street, Nevada, IA 50201 on April 27, 2026, the City Council of the City of Nevada, Iowa (The "City") will hold a public hearing on the proposed plans and specifications, form of contract and estimate of cost (the "Contract Documents") for the proposed Trunkline Manhole Rehabilitation (the "Project").

The Project shall consist of:

The extent of the work involved is the furnishing of labor and new materials for the construction of manhole repairs, but not limited to the following: castings, adjustment rings, and flat top tops. Specific project location along with the kind and approximate quantity of materials to be used shall be as set forth in the Plans and Specifications.

A copy of the proposed Contract Documents is on file for public inspection in the office of the City Clerk.

At said hearing any interested person may file written objections or present oral comments with respect to the subject matter of the hearing.

Erin Mousel, City Clerk

April 16 2026  
LIOW0488111